

DP-6030H

endurance

- Up to 60 ppm Digital Input and Output System
- Standard Network Printing / Document Management Software
- Powerful Upgrades for Incredible Multifunctionality
- Advanced Network and Job Management Capability
- Enhanced Security Features

Panasonic ideas for life

Specifications



DP-6030H Specifications

General

Type	Desktop
Copy/Print Process	Laser Indirect Electrostatic
Developing Process	Dry Dual Component
Automatic Document Feeder	70 sheets (Letter, 20 lb, 75 g/m ²)
Paper Feed	Std. 1,550 (Large-capacity tray) + 550-sheet paper tray unit + 50-sheet bypass Max. 6,250 sheets (20 lb, 75 g/m ²) with option
Paper Weight	Paper Tray: 16 to 24 lb (60 to 90 g/m ²) Bypass: 15 to 35 lb (55 to 133 g/m ²)
Power Requirements	AC 120 V, 60 Hz, 12 A
Power Consumption	Max.: Less than 1.5 kW Power saver mode: Approx. 180 Wh Sleep mode: Approx. 20 Wh
Warm-up Time	Approx. 180 sec. (Main power switch ON)
Dimensions (W x D x H) ¹	23.6" x 29.8" x 35.4" (600 x 758 x 900 mm)
(Excluding optional equipment)	(Including Automatic Document Feeder and ADF mounting bracket)
Weight (Excluding optional equipment) ¹	Approx. 292 lb (132.5 kg)

Digital Copier

First Copy Time	Approx. 4.5 sec. (Letter)
Resolution	600 dpi
Gray Scale	256 steps
Multi Copy Speed ²	up to 60 cpm
Maximum Original Size	Ledger
Copy Size	Ledger – Invoice (fixed)
Copy Ratio	Enlargement (fixed)
	200%, 155%, 129%, 121%
	Reduction (fixed)
79%, 77%, 65%, 61%, 50%	
Zoom (variable)	25–400% (in 1% increments)
Multiple Copy	1 to 999, Automatic reset to 1
Exposure Control	Text, Text / Photo, Photo
Sort Memory	Standard 32MB (Image Memory), 12GB (HDD)
	Optional Base Image Memory (32MB) plus 16MB / 64MB / 128MB (Max. 160MB)

Printer

Network Printer Interface	Ethernet 10Base-T/100Base-TX, Bi-directional Parallel (IEEE1284)
Communication Protocol	TCP/IP (LPD, Raw/Port9100, SNMP, DHCP) IPX/SPX (NDS, Bindery, NDP5) AppleTalk (PS), IPP (PCL, PS)
Printer Language (standard)	Panasonic Printing System for Windows [®]
(option)	PCL 5e Emulation ^{®3} , PCL 6 Emulation ^{®3} Adobe [®] PostScript3 ^{®TM4}
Printing Speed ²	up to 60 ppm
Paper Size	Paper Tray: Ledger – Invoice Bypass: Ledger – Invoice
Printing Resolution	1,200 dpi equivalent x 600 dpi (PCL, PS), 600 dpi x 600 dpi (PCL, PS, GDI)
Printer Memory	50MB
Compatible Client Operating Systems	Windows [®] XP/2000/98/Me, Windows [®] NT 4.0, Mac [®] OS 8.6–10.2 (PS only)
Compatible Network Operating Systems	Windows [®] 2000/Server 2003, NT 4.0, Novell 3.x/4.x/5.x/6.x, Unix (LPD/LPR), Linux (LPD/LPR), AS/400 (PCL, PS)

Network Scanner (Option)

Network Scanner Interface	Ethernet 10Base-T/100Base-TX
Communication Protocol	TCP/IP (LPR, FTP)
Maximum Scanning Size	Ledger
Scanning Speed	Approx. 60 opm (Originals per minutes - Letter portrait with ADF)
Scanning Resolution	150 dpi x 150 dpi, 300 dpi x 300 dpi, 600 dpi x 600 dpi
Compatible Operating Systems	Windows [®] XP/2000, 98, Me, Windows NT [®] 4.0
Data Format	TIFF, PDF

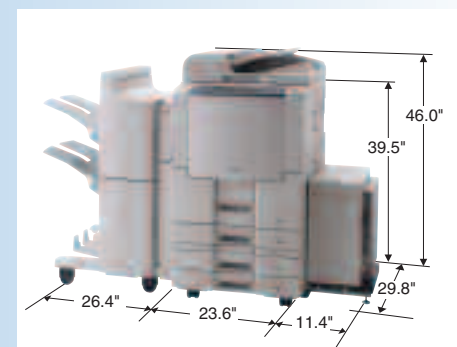
G3 Fax (Option)

Compatibility	ITU-T Group 3, ECM
Modem Speed	33.6 kbps
Coding Scheme	JBIG / MMR / MR / MH
Scanning Speed ⁵	Approx. 0.6 sec. (Letter portrait in Standard or Fine mode with ADF)
Transmission Speed ⁶	Approx. 2.7 sec.
Scanning Resolution	Standard: 203 dpi x 98 lpi (8 dots/mm x 3.85 lines/mm) Fine: 203 dpi x 196 lpi (8 dots/mm x 7.7 lines/mm) Super Fine: 406 dpi x 391 lpi (16 dots/mm x 15.4 lines/mm) 600 dpi: 600 dpi x 600 dpi
Maximum Original Size	Ledger
Effective Scanning Width	10.7" (274 mm)
Recording Resolution	600 x 600 dpi
Standard Memory ⁷	3MB (Approx. 180 pages)
Optional Memory ⁷	Base memory plus 4MB (320 pages) / 8MB (640 pages)
Speed Dials	1,000

Internet Fax / Scan-to-Email (Option)⁸

Compatibility (Internet Fax)	IETF RFC 2305, ITU-T T.37 ⁹
Communication Protocol	TCP/IP (SMTP, POP3, LDAP)
Network Connectivity	10Base-T/100Base-TX Ethernet
Data Format	TIFF, PDF

Dimensions



Notes

- Dimensions and weight are approximate.
- Speeds are contingent upon applications, machine configuration, and status. Individual speeds may vary.
- Printer Controller Module or Multi-Page Description Language Controller Module option required.
- Multi-Page Description Language Controller Module option required.
- Scanning speed applies to the feeding process from the top to the end of a single page test chart. The time for the feeding process does not include the time that it takes for the top edge of the page to reach the scanning point and page ejection. Time for entire storing process is not applied.
- Transmission time applies to memory transmission of text data using only ITU-T Image No. 1 between the same models at maximum modem speed. Transmission time may vary in actual usage. Usually public telephone lines can only support communication speeds of 28.8 Kbps or lower. Via PBX, transmission speed may fall back to a lower speed.
- Based on ITU-T Image No. 1 scanned in Standard mode.
- Depending on the receiving machines capability, the document may not be correctly printed depending on the chosen resolution and document size.
- T.37 Internet Fax only supports TIFF format.

Microsoft[®] Windows[®] and Windows NT[®] are registered trademarks of Microsoft Corporation. Adobe[®] PostScript[®], PostScript[®] 3[™], PDF and PostScript logo[®] are trademarks of Adobe Systems, Inc. Novell Netware[®] and Novell Directory Services[®] are registered trademarks of Novell, Inc., in the United States and other countries. PCL[®] is a registered trademark of Hewlett-Packard. MetaConsole[™] is a trademark of Netaphor[™] Software Inc. OneIP[™] is a trademark of AHT. Mac is a trademark of Apple Computer, Inc., registered in the U.S. and other countries. WORKIO[®] is a registered trademark of Matsushita Electric Industrial Co., Ltd. All other brand or product names are the property of their respective holders.

For high security requirements, the DP-6030G is available which has no hard disk drive.

ISO 9001 Quality Management System

Our business processes which produce document, information and network products, from manufacturing to marketing, conform to ISO9001 Quality Management Systems standard. Design, development, manufacture, installation, repair and maintenance of document, information and network products, their associated devices and consumables. In addition, the plants outside Japan have acquired ISO 9001 certification.



Panasonic[®]

Panasonic Digital Document Company
Unit of Panasonic Corporation of North America

Two Panasonic Way, Secaucus, NJ 07094
For a local dealer, please call 1-800-742-8086
panasonic.com/office



As an Energy Star[®] partner, Panasonic has determined that this product meets the Energy Star[®] guidelines for energy efficiency.